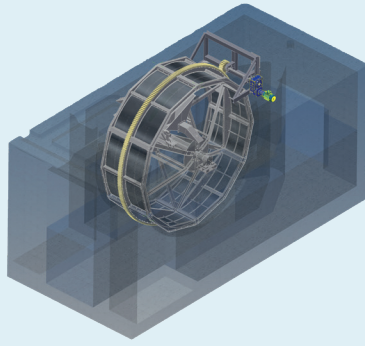


Hubert

Drum Screen



Our (vertical) rotary drum screens are mainly used for (sea)water intakes as part of power plants and desalination plants, where tidal differences can also play a role.



Drum Screen

A Hubert vertical drum screen - the 'heart' of a 'screening train'

A drum screen is typically installed in water intake systems downstream from coarse bar screens. Regularly occurring flow rates are between 40.000 and 120.000 m³/h per screen, depending on customer requirements and the local situation at the intake. A drum screen is used for relative fine filtration; the filter medium is a woven mesh with a wire diameter of about 2-3 mm.

Features and Benefits

- Large flow capacities
- Light stable and rigid structure (due to our A-spoke construction)
- Reliable & Maintenance free
- Long lifetime (30 years or more)
- Resistant to abrasive water
- No need for a debris pump (debris removed at / or above deck lev.)
- Savings on spare parts
- (Sea)water lubricated bearing
- Spray water cleaning
- Fish removal

Standard Dimensions and Materials

- Drum width: up to 5 m, drum diameter up to 20 m
- Mesh opening: 2/ 10 mm
- Materials: (coated) carbon steel, stainless steel, (super) Duplex

Design and Construction

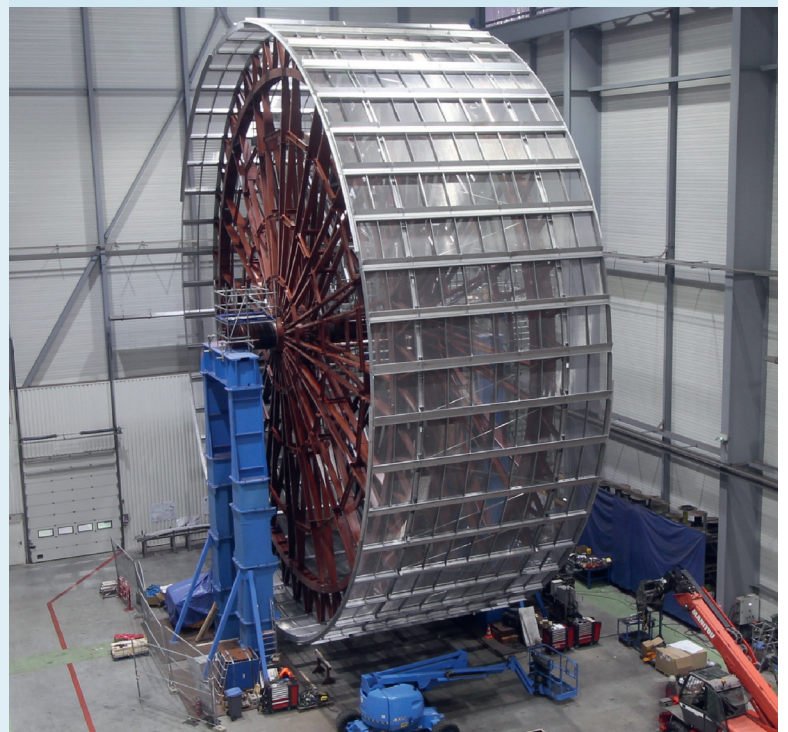
The drum is placed in a concrete pit or tanks and rotates on a stationary hollow shaft. The water to be filtered flows through the drum panels and the dirt particles remain trapped in the mesh. Hubert vertical drum screens are available for different flow patterns.

As the drum rotates the row of screen panels pass under or above a set of high pressure water jets at the top of the drum. The dirt particles are washed from the screen and discharged through a debris collector system.

The Hubert vertical (rotary) drum screens are designed with A-shaped spokes, resulting in high rigidity and resistance to deformation. This produces an accurate fit against pit walls, enabling filtration of particles down to 2 mm. All Hubert drum screens are fitted with maintenance free slide (sea)water lubricated bearings. The same applies to the ring gear

Fish Friendly – Fish Recovery System

Hubert's drum screens can be supplied with a fish recovery gutter or channel that allows trapped fish to be removed in a gentle and effective way. These recovery systems are tailor-made for each project.



History

Hubert, founded in 1880, has almost 150 years of experience in design and engineering, in-house manufacturing, installation and service of equipment for water purification and water intake applications. Our engineered products and technical expertise have enabled Hubert to become a major player in the global market for water treatment solutions. We focus on high-quality equipment with a long service life.

Over the years, we have gained an extensive number of satisfied customers and project references all over the world. Our machinery is a crucial part of every production facility and is usually continuous in operation. Our equipment has to operate efficiently and reliably in extreme weather conditions. Hubert's installed base comprises many thousands of installations that have recently been commissioned or that have been in operation for many years.

OUR DIVISIONS

Water Intake Systems

Hubert is market leader in water intake screening systems, used for mechanically clean water extracted from the sea, rivers or lakes. These systems can be found in power stations, petrochemical plants & refineries, desalination plants, drinking water & irrigation plants and industrial production plants requiring a huge demand for process water. We supply complete 'screening trains', including all additional equipment like controls and cathodic protection. We design, engineer, and manufacture our equipment in-house. You will find our projects in both new construction (EPC) projects and renovation and optimization of existing water intakes.



Wastewater Treatment Machinery

Hubert wastewater treatment machinery and (sub) installations are applied in municipal and industrial wastewater treatment plants. Our installations are of high quality and offer a long service life. Clients range from water boards and authorities in the public sector to multinationals in many industries.



Service and After Sales

Keeping your machinery operational, this is the daily work of our Service and After Sales division, which proves its importance by keeping Hubert installations operational anywhere in the world. Founded in 1880, the large amount of projects that Hubert has carried out over the years has resulted in a huge installed base of equipment. Many of these are still in operation! We supply parts but also provide optimization and renovation of your existing equipment.



High-Spec Steel Assemblies

We have been supplying both components and assembled parts to the offshore industry and other applications within the shipping and dredging industry for many years. Complex machined welding constructions, (sub) assemblies and complete products are part of our program. For this market we work according to customer (mechanical) specifications. Our scope includes parts in single pieces, series as well as assembled products.



Over 250 years of experience in water handling and treatment

From water intake systems to water cooling, from water management to wastewater treatment, pumping stations, hydropower and prize-winning innovations in the field of decentralised wastewater treatment. DeSaH, Hubert and Landustrie have joined forces. From Sneek in Friesland, our experts develop and manufacture future-proof solutions with an above-average lifespan.

Pieter Zeemanstraat 6
PO Box 199, 8600 AD Sneek, The Netherlands
Tel. +31 (0)515 486 888 | info@hubert.nl
hubert.nl



HUBERT
water treatment installations

Landustrie 